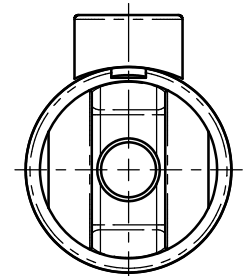
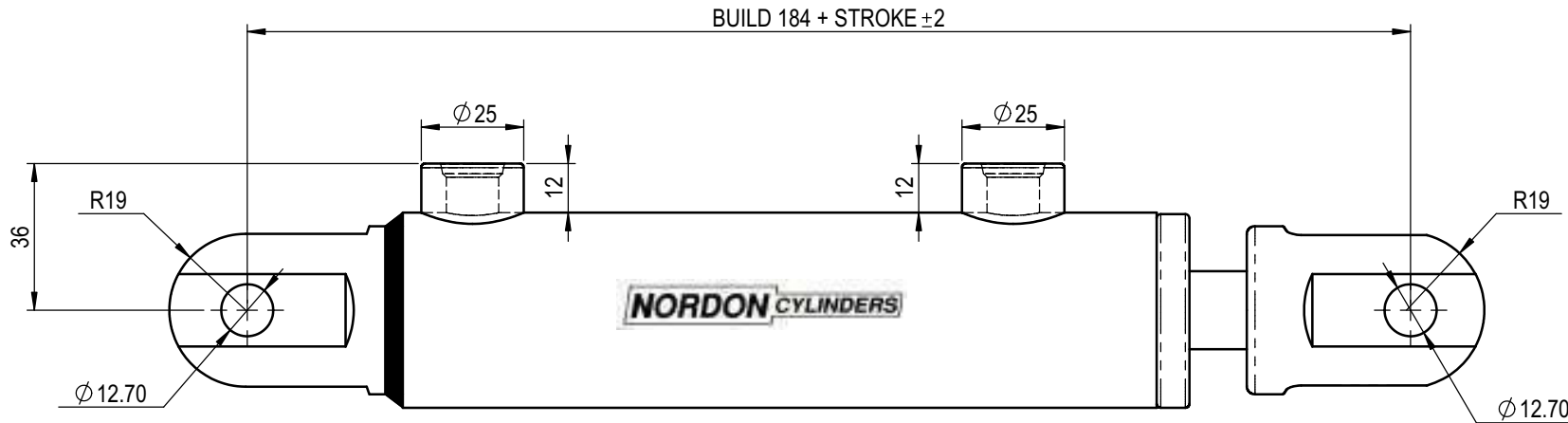
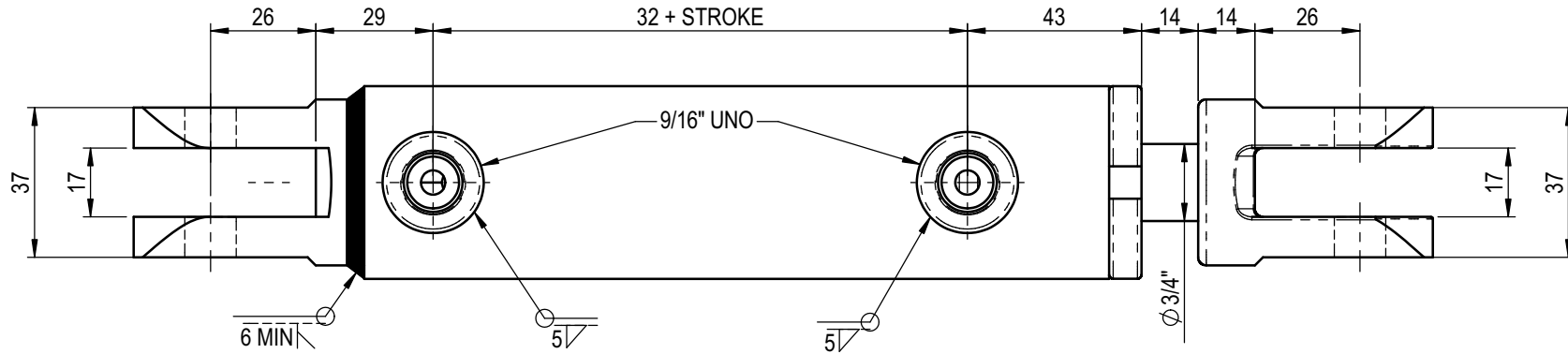
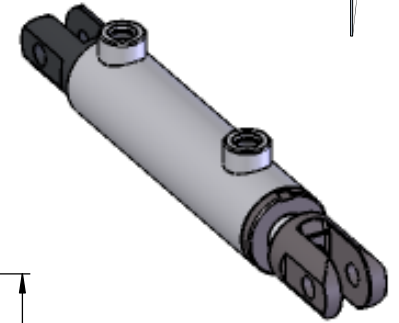


NA SERIES

1.5" BORE, 0.75" ROD CYLINDER

A PORT POSITION

NORDON CYLINDERS
Australia



VIEW FROM ROD SIDE

PAINTED NORDON GREY

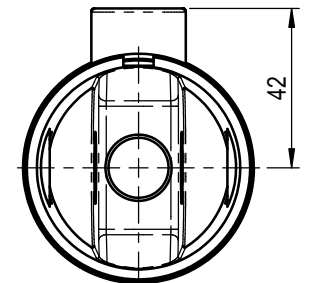
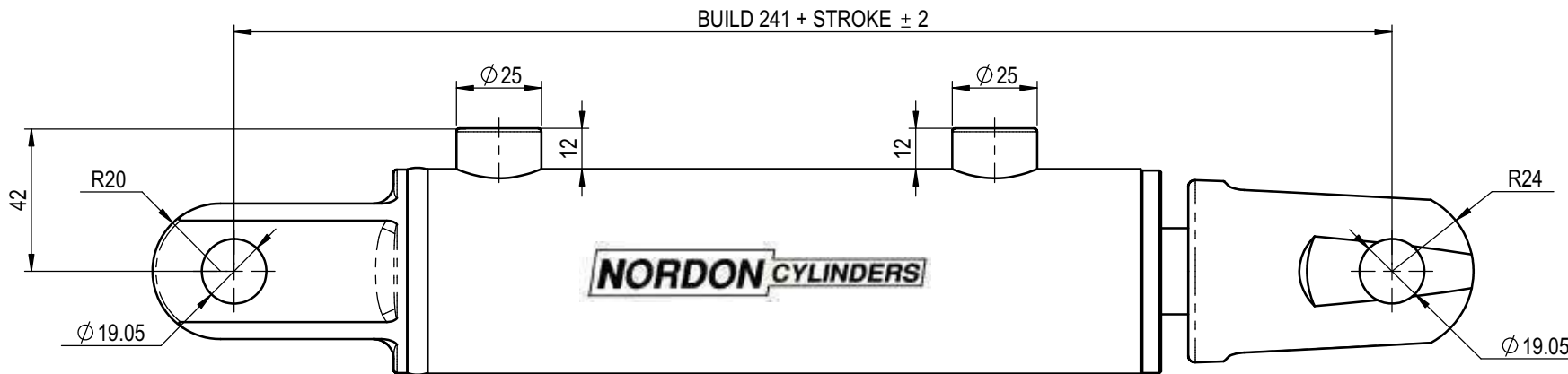
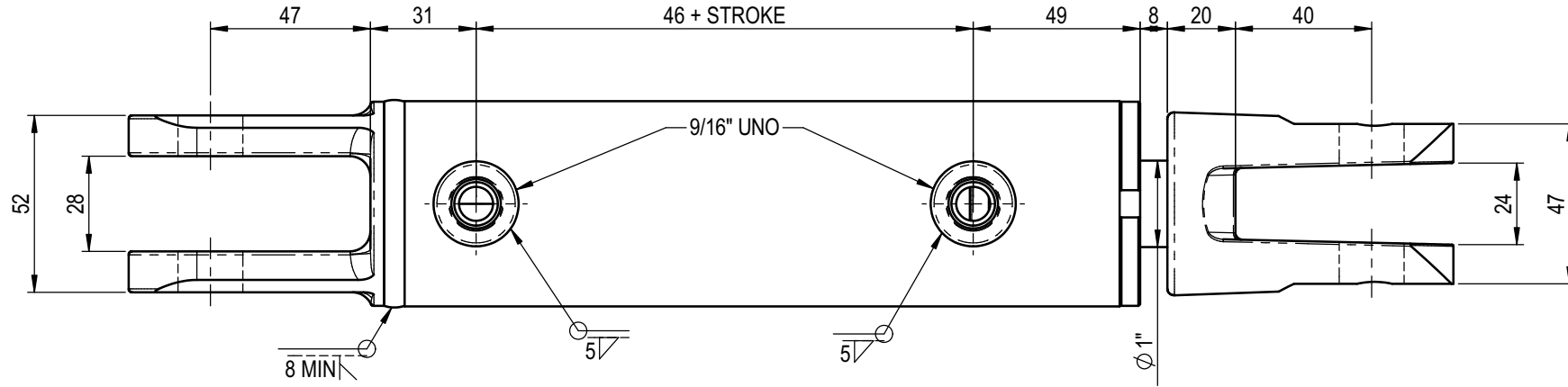
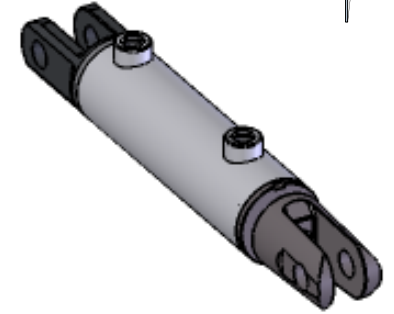
NOTE: ALL THREADS MACHINED TO 2A/B SPECIFICATION.
ALL PIN HOLES MACHINED TO D9 TOLERANCE.

THIS DRAWING AND THE INFORMATION IT CONTAINS IS THE PROPERTY OF NORDON HYDRAULICS PTY LTD AND MAY NOT BE USED FOR ANY PURPOSE WITHOUT WRITTEN AUTHORISATION FROM THE COMPANY.

ITEM	MATERIAL
SHAFT	0.75" 20MNV6 CHROME BAR
TUBE	1.875" X 1.5" SSID

NA SERIES **2" BORE, 1"** **ROD CYLINDER** **A PORT POSITION**

NORDON CYLINDERS
Australia



VIEW FROM ROD SIDE

PAINTED NORDON GREY

NOTE: ALL THREADS MACHINED TO 2A/B SPECIFICATION.
 ALL PIN HOLES MACHINED TO D9 TOLERANCE.

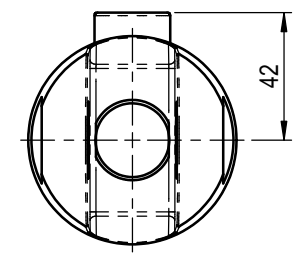
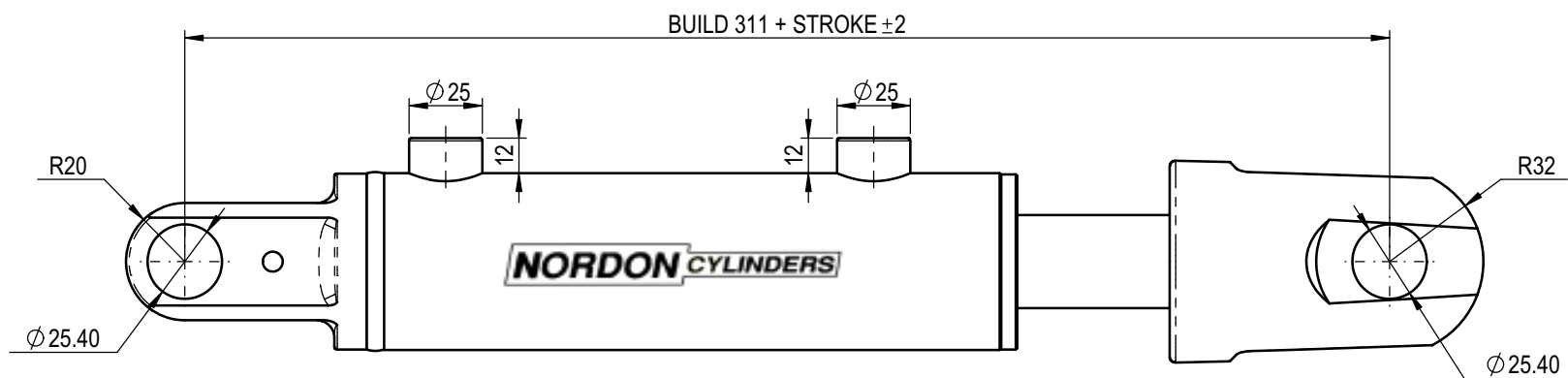
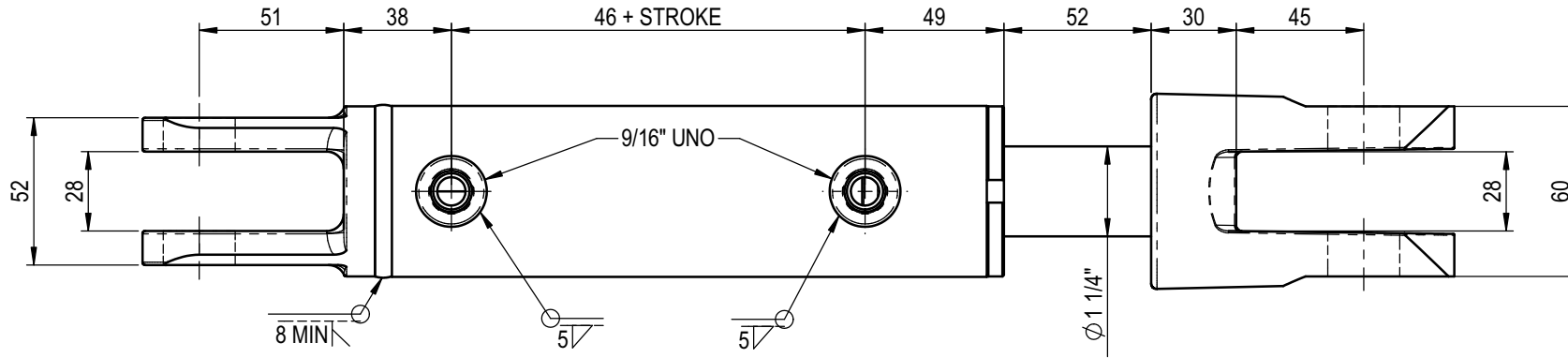
THIS DRAWING AND THE INFORMATION IT CONTAINS IS THE PROPERTY OF NORDON HYDRAULICS PTY LTD
 AND MAY NOT BE USED FOR ANY PURPOSE WITHOUT WRITTEN AUTHORISATION FROM THE COMPANY.

ITEM	MATERIAL
SHAFT	1" 20MNV6 CHROME BAR
TUBE	2.375" X 2" SSID

NA SERIES

2" BORE, 1.25" ROD CYLINDER

A PORT POSITION



VIEW FROM ROD SIDE

PAINTED NORDON GREY

NOTE: ALL THREADS MACHINED TO 2A/B SPECIFICATION.
ALL PIN HOLES MACHINED TO D9 TOLERANCE.

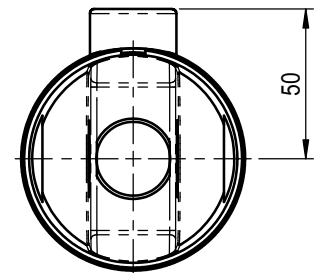
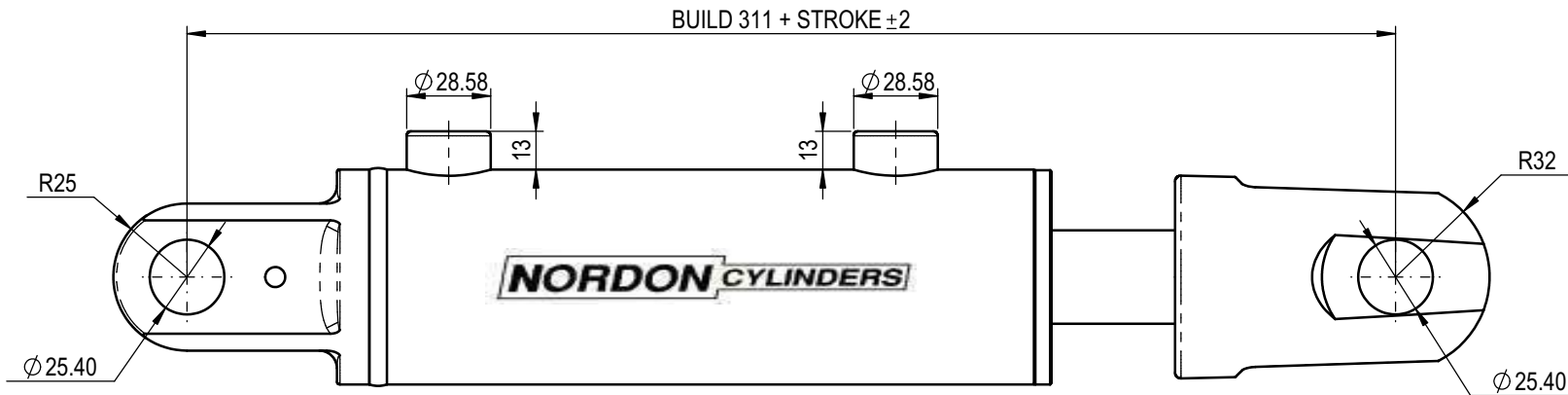
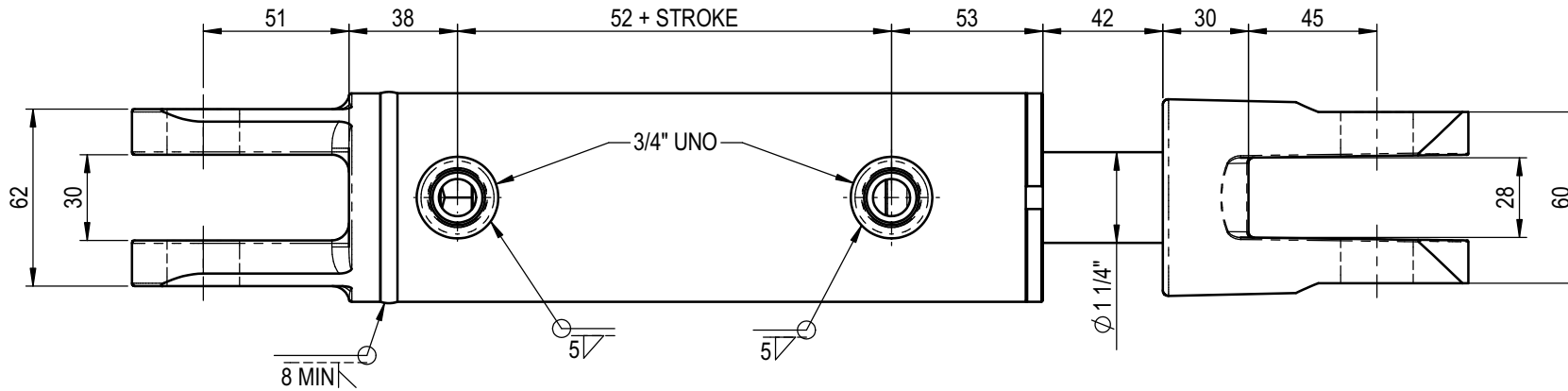
THIS DRAWING AND THE INFORMATION IT CONTAINS IS THE PROPERTY OF NORDON HYDRAULICS PTY LTD AND MAY NOT BE USED FOR ANY PURPOSE WITHOUT WRITTEN AUTHORISATION FROM THE COMPANY.

ITEM	MATERIAL
SHAFT	1.25" 20MNV6 CHROME BAR
TUBE	2.375" X 2" SSID

NA SERIES

2.5" BORE, 1.25" ROD CYLINDER

A PORT POSITION



VIEW FROM ROD SIDE

PAINTED NORDON GREY

NOTE: ALL THREADS MACHINED TO 2A/B SPECIFICATION.
ALL PIN HOLES MACHINED TO D9 TOLERANCE.

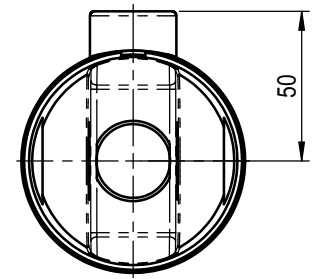
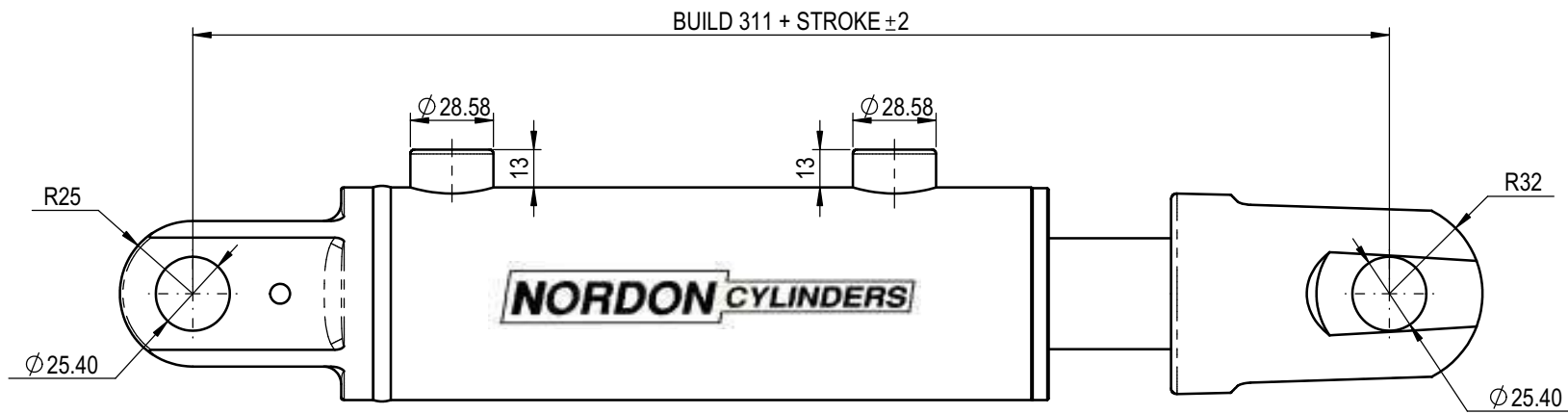
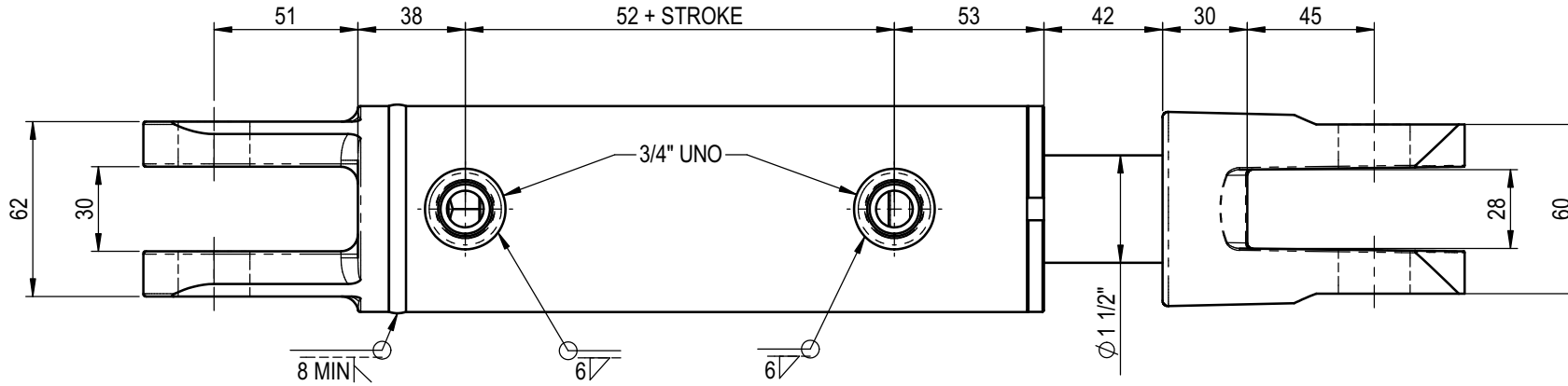
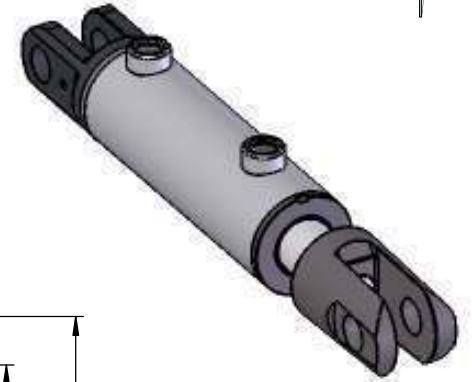
THIS DRAWING AND THE INFORMATION IT CONTAINS IS THE PROPERTY OF NORDON HYDRAULICS PTY LTD AND MAY NOT BE USED FOR ANY PURPOSE WITHOUT WRITTEN AUTHORISATION FROM THE COMPANY.

ITEM	MATERIAL
SHAFT	1.25" 20MNV6 CHROME BAR
TUBE	2.875" X 2.5" SSID

NA SERIES

2.5" BORE, 1.5" ROD CYLINDER

A PORT POSITION



VIEW FROM ROD SIDE

PAINTED NORDON GREY

NOTE: ALL THREADS MACHINED TO 2A/B SPECIFICATION.
ALL PIN HOLES MACHINED TO D9 TOLERANCE.

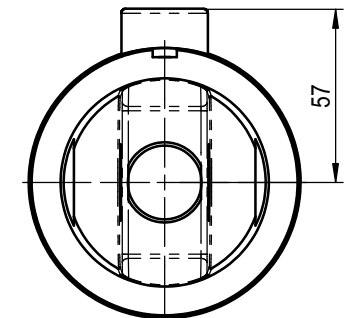
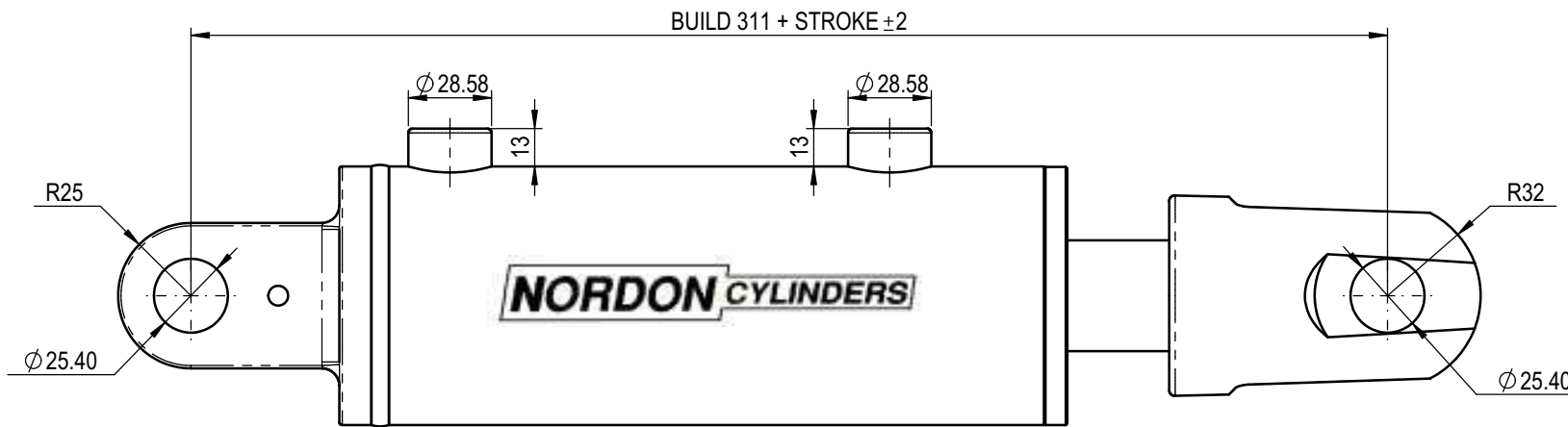
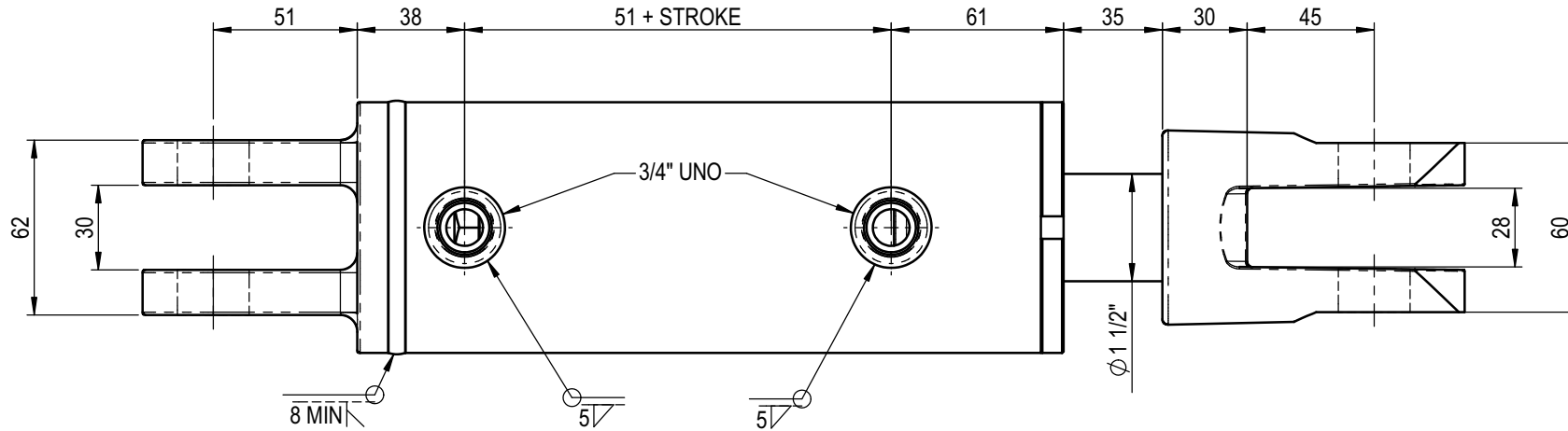
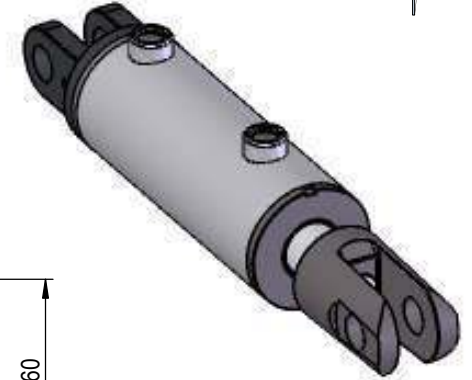
THIS DRAWING AND THE INFORMATION IT CONTAINS IS THE PROPERTY OF NORDON HYDRAULICS PTY LTD AND MAY NOT BE USED FOR ANY PURPOSE WITHOUT WRITTEN AUTHORISATION FROM THE COMPANY.

ITEM	MATERIAL
SHAFT	1.5" 20MNV6 CHROME BAR
TUBE	2.875" X 2.5" SSID

NA SERIES

3" BORE, 1.5" ROD CYLINDER

A PORT POSITION



PAINTED NORDON GREY

NOTE: ALL THREADS MACHINED TO 2A/B SPECIFICATION.
ALL PIN HOLES MACHINED TO D9 TOLERANCE.

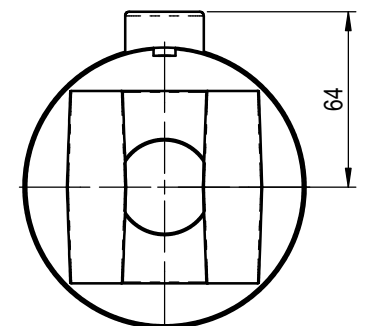
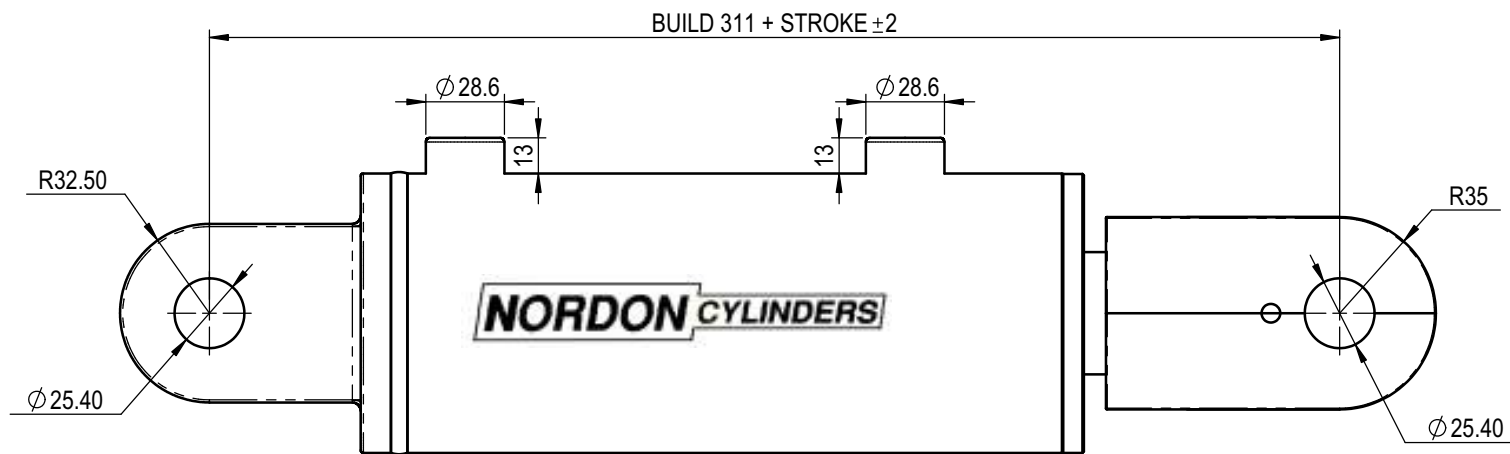
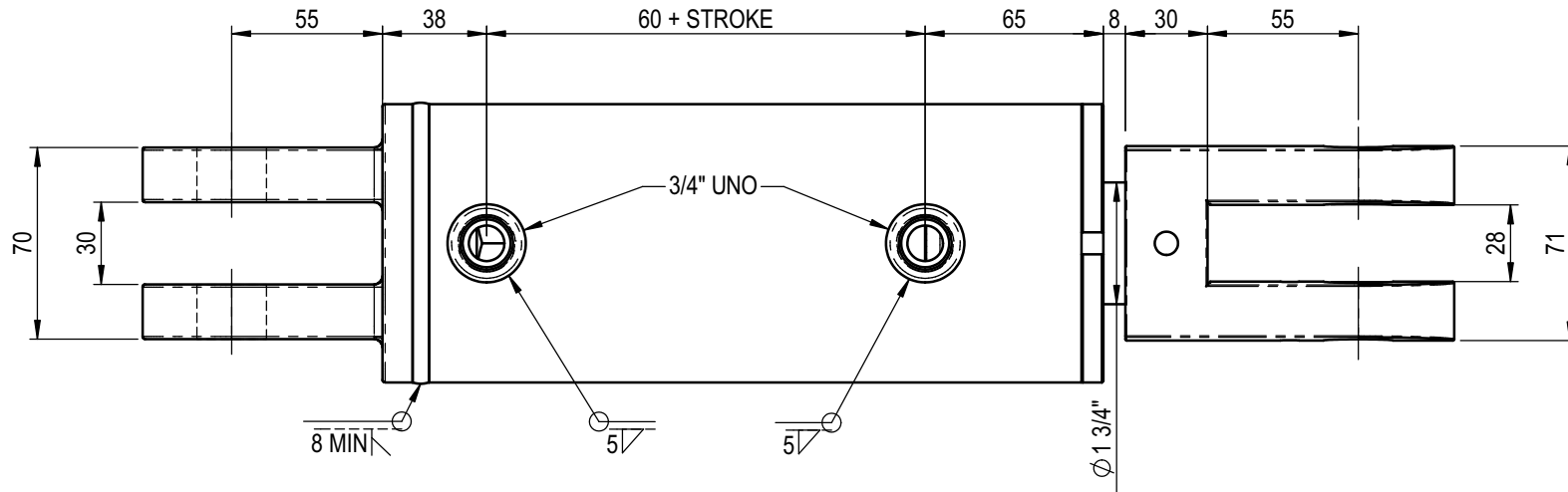
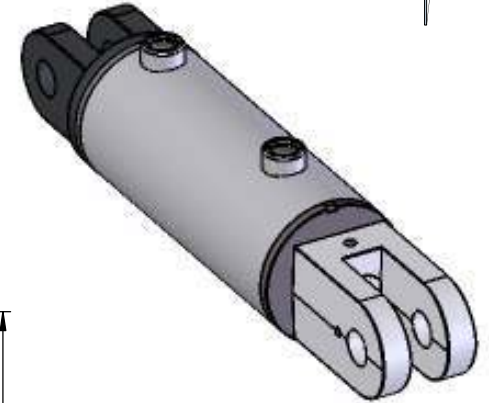
THIS DRAWING AND THE INFORMATION IT CONTAINS IS THE PROPERTY OF NORDON HYDRAULICS PTY LTD AND MAY NOT BE USED FOR ANY PURPOSE WITHOUT WRITTEN AUTHORISATION FROM THE COMPANY.

ITEM	MATERIAL
SHAFT	1.5" 20MNV6 CHROME BAR
TUBE	3.5" X 3" SSID

NA SERIES

3.5" BORE, 1.75" ROD CYLINDER

A PORT POSITION



VIEW FROM ROD SIDE

PAINTED NORDON GREY

NOTE: ALL THREADS MACHINED TO 2A/B SPECIFICATION.
ALL PIN HOLES MACHINED TO D9 TOLERANCE.

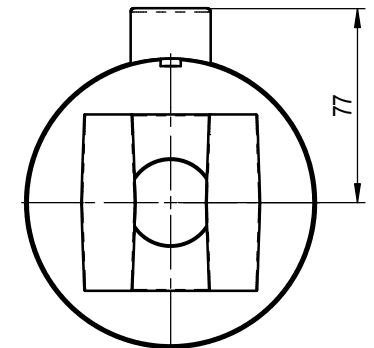
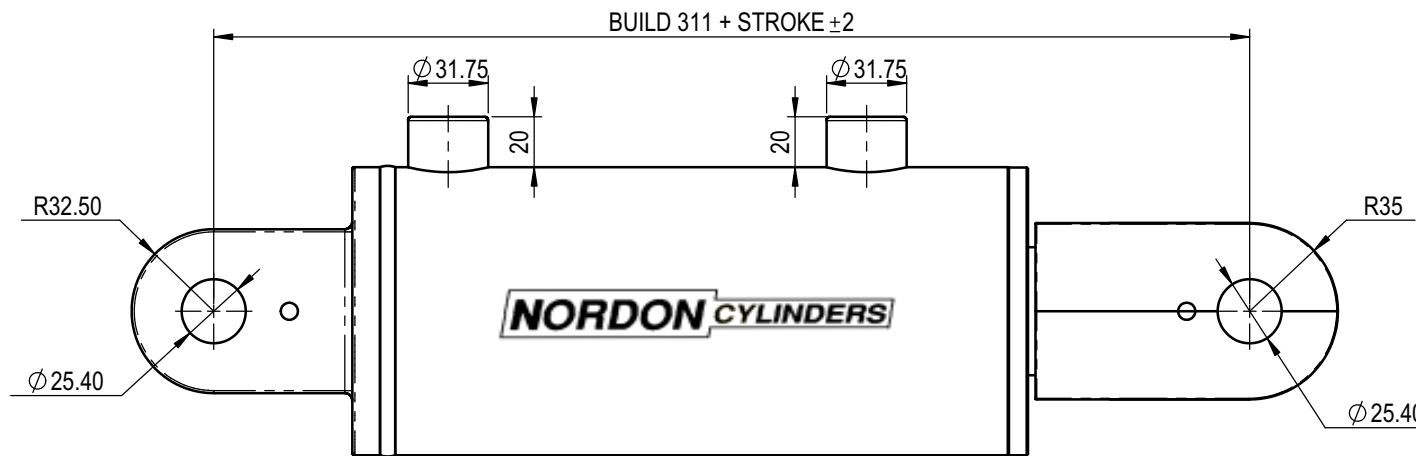
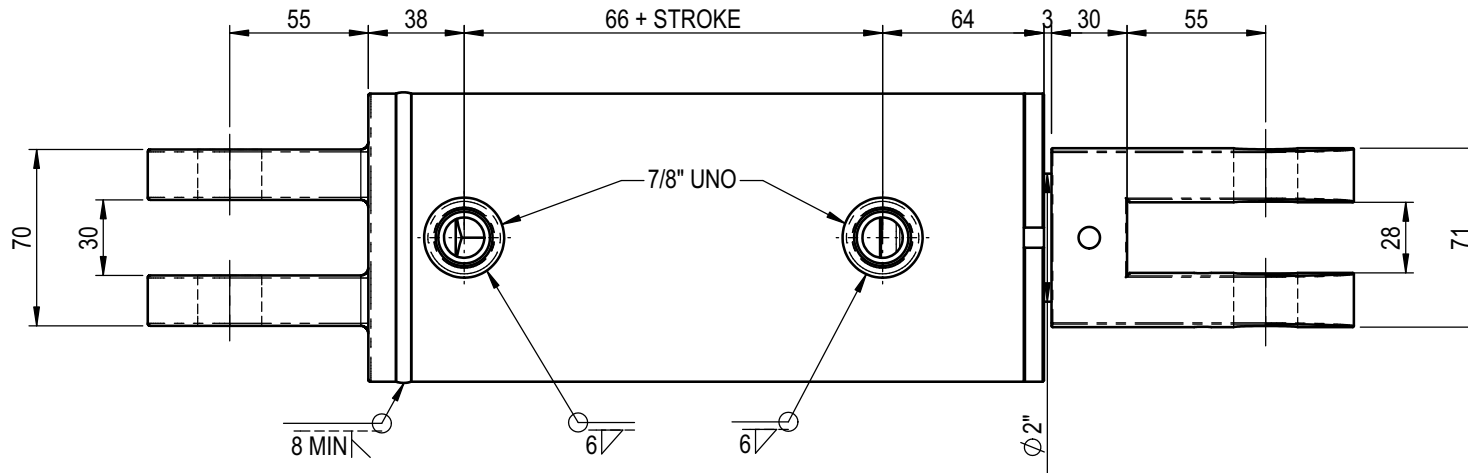
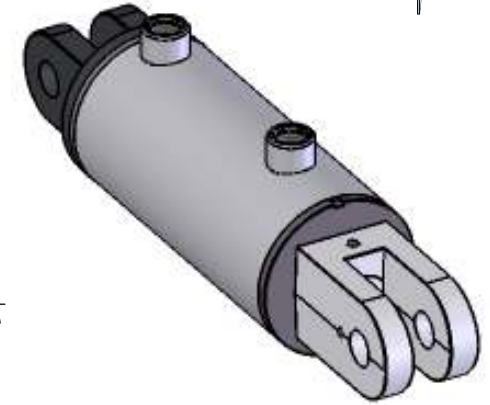
THIS DRAWING AND THE INFORMATION IT CONTAINS IS THE PROPERTY OF NORDON HYDRAULICS PTY LTD AND MAY NOT BE USED FOR ANY PURPOSE WITHOUT WRITTEN AUTHORISATION FROM THE COMPANY.

ITEM	MATERIAL
SHAFT	1.75" 20MNV6 CHROME BAR
TUBE	4" X 3.5" SSID

NA SERIES

4" BORE, 2" ROD CYLINDER

A PORT POSITION



VIEW FROM ROD SIDE

PAINTED NORDON GREY

NOTE: ALL THREADS MACHINED TO 2A/B SPECIFICATION.
ALL PIN HOLES MACHINED TO D9 TOLERANCE.

THIS DRAWING AND THE INFORMATION IT CONTAINS IS THE PROPERTY OF NORDON HYDRAULICS PTY LTD AND MAY NOT BE USED FOR ANY PURPOSE WITHOUT WRITTEN AUTHORISATION FROM THE COMPANY.

ITEM	MATERIAL
SHAFT	2" 20MNV6 CHROME BAR
TUBE	4.5" X 4" SSID