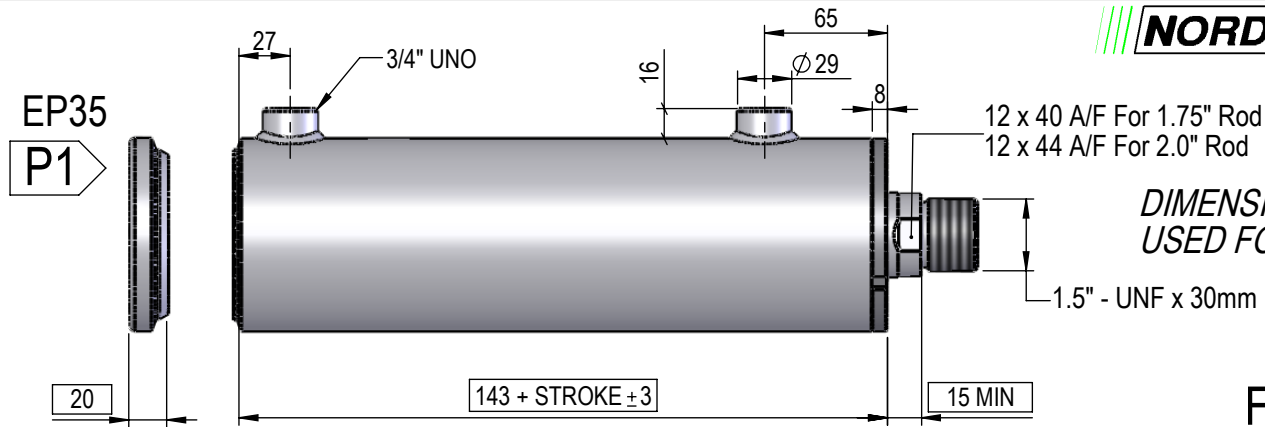


NI SERIES 3.5" BORE 1.75" OR 2" ROD CYLINDER

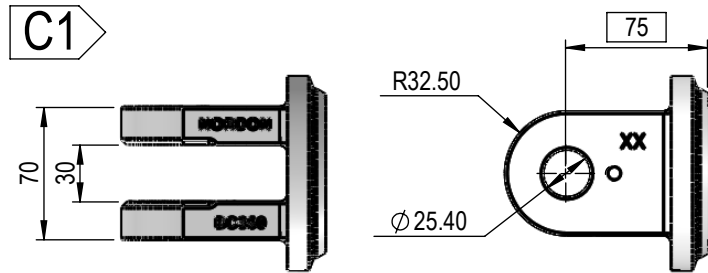
FEMALE CLEVIS



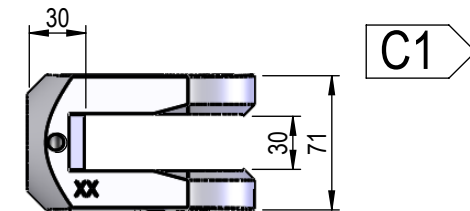
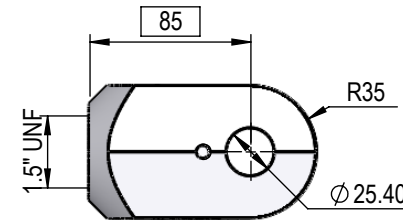
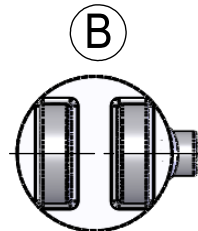
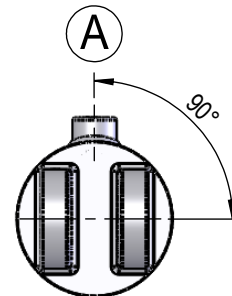
DIMENSIONS IN BOXES TO BE USED FOR BUILD LENGTH

FEMALE CLEVIS

BC350
HS = 18625 kg

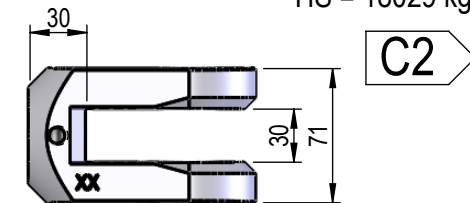
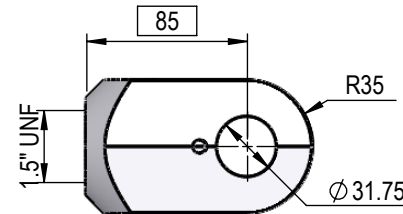
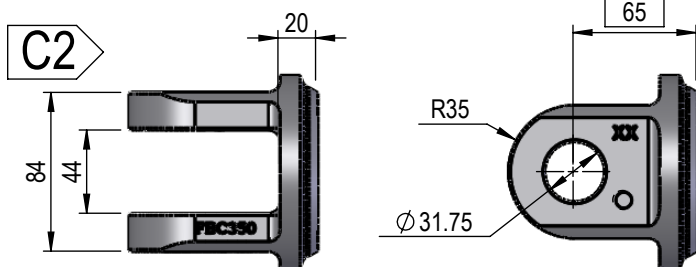


PORT POSITION



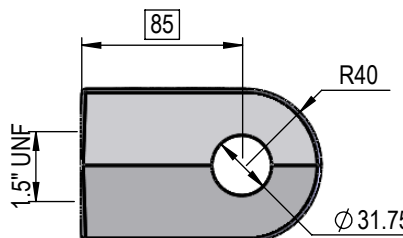
CL002
HS = 21216 kg

FBC350
HS = 17411 kg



CL002B
HS = 18029 kg

FRC040
HS = 20741 kg



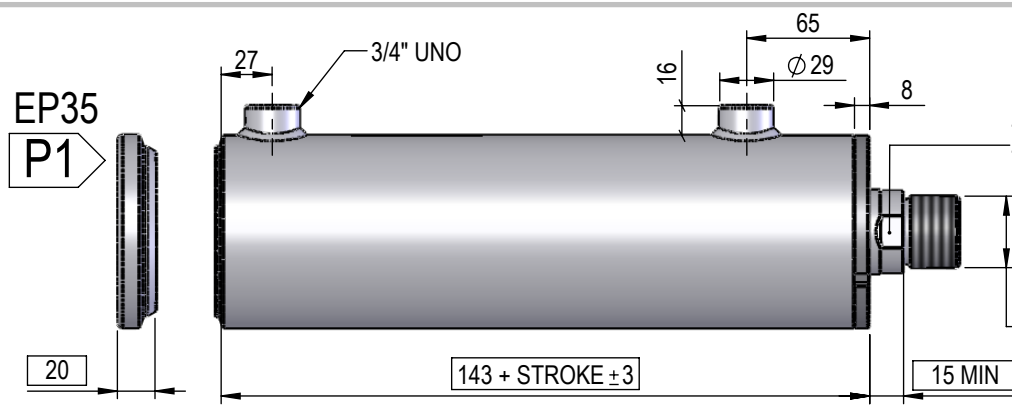
FRC040
HS = 20741 kg

NI SERIES

3.5" BORE

1.75" OR 2" ROD

CYLINDER



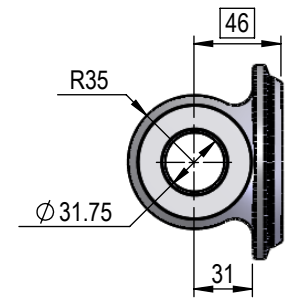
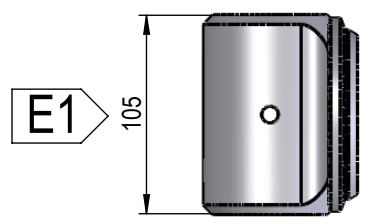
12 x 40 A/F For 1.3/4" Rod
12 x 44 A/F For 2.0" Rod

DIMENSIONS IN BOXES TO BE USED FOR BUILD LENGTH

1.5" - UNF x 30mm

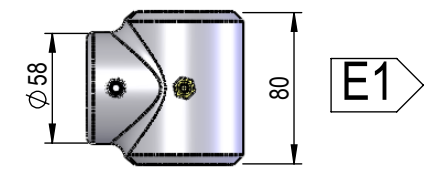
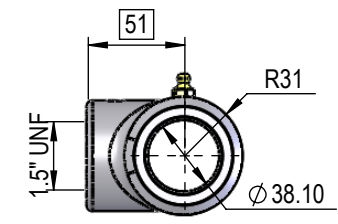
PIN-EYE

PBC350-12I105M
HS = 43051 kg

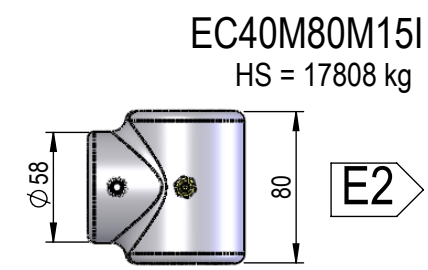
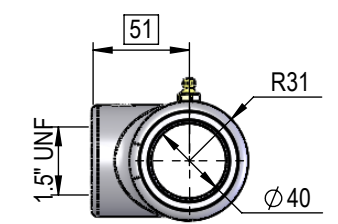
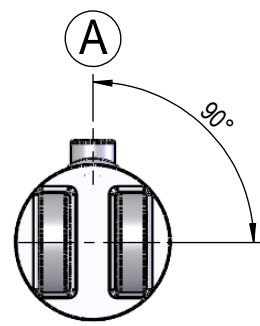


PIN-EYE

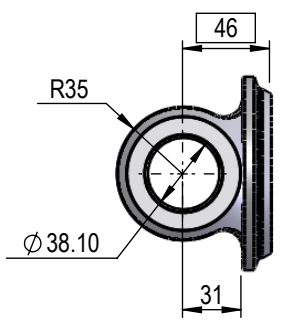
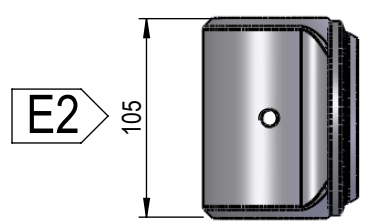
EC15I80M15I
HS = 19569 kg



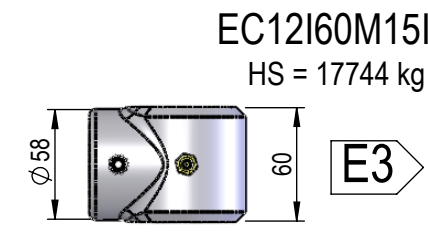
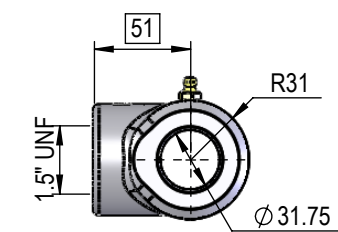
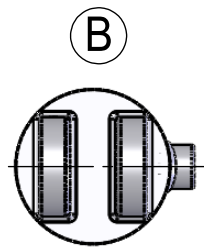
PORT POSITION



PBC350-15I105M
HS = 35821 kg

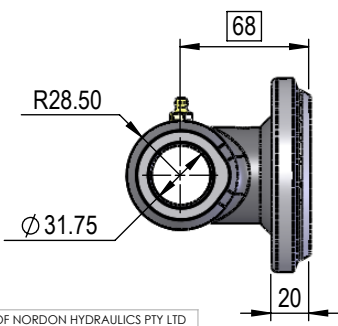
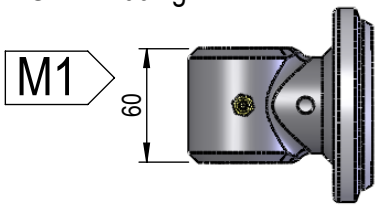


EC40M80M15I
HS = 17808 kg



MALE LUG

EC12I60M11I + EP35
HS = 14706 kg

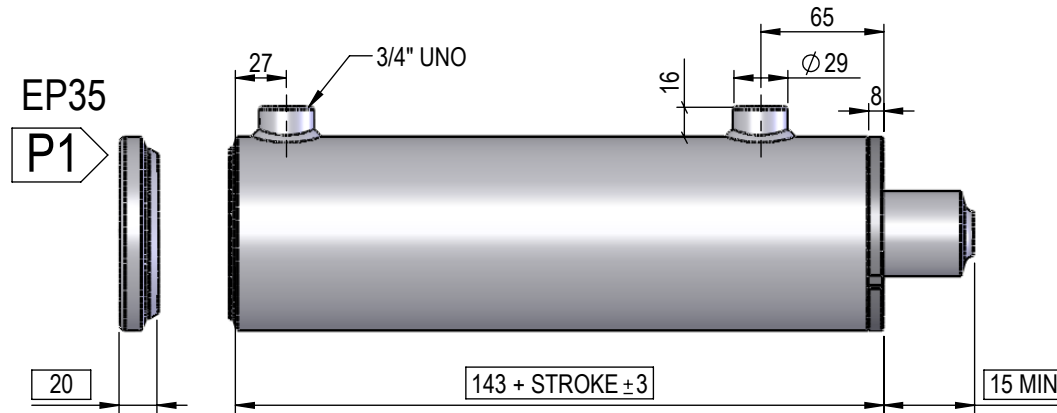


EC12I60M15I
HS = 17744 kg

THIS DRAWING AND THE INFORMATION IT CONTAINS IS THE PROPERTY OF NORDON HYDRAULICS PTY LTD AND MAY NOT BE USED FOR ANY PURPOSE WITHOUT WRITTEN AUTHORISATION FROM THE COMPANY. DRAWINGS SUBJECT TO CHANGE WITHOUT NOTICE. E&OE

HS = Housing Strength With F.O.S of 3:1

NI SERIES
3.5" BORE
1.75" OR 2" ROD
CYLINDER

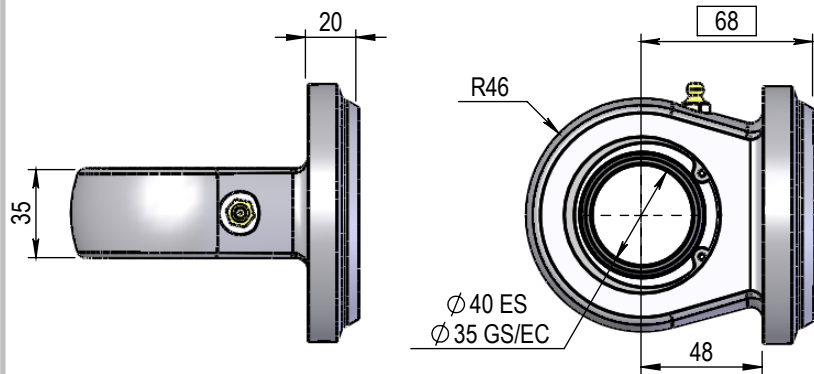


DIMENSIONS IN BOXES TO BE USED FOR BUILD LENGTH

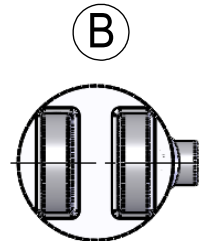
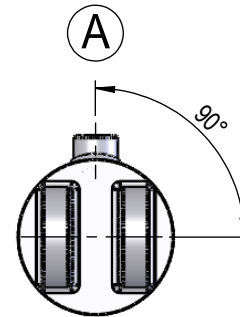
SPHERICAL BEARING

SB-350-40
 HS = 11352 kg

B1



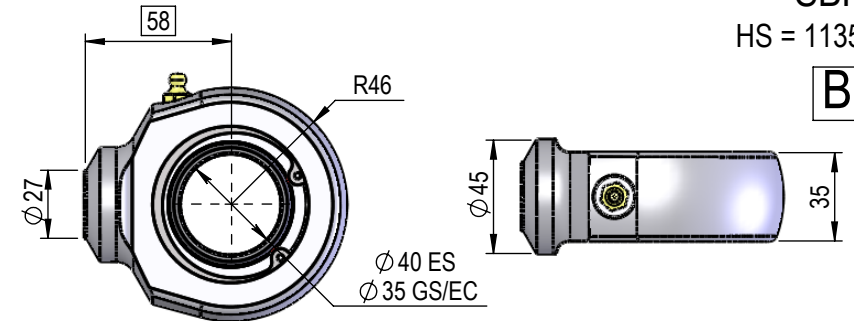
PORT POSITION



SPHERICAL BEARING

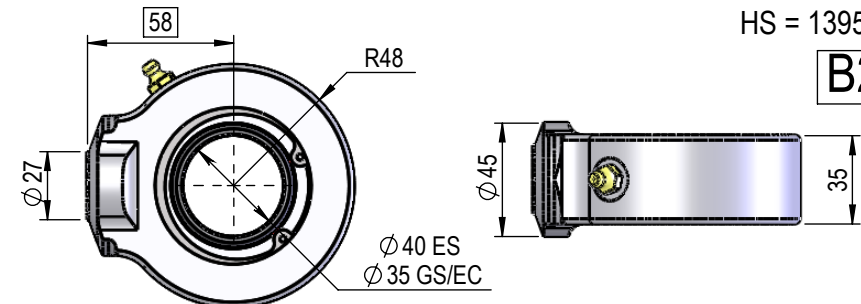
SBR40
 HS = 11356 kg

B1



SBR40HD
 HS = 13958 kg

B2



NI SERIES

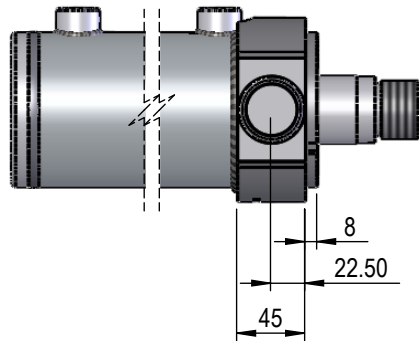
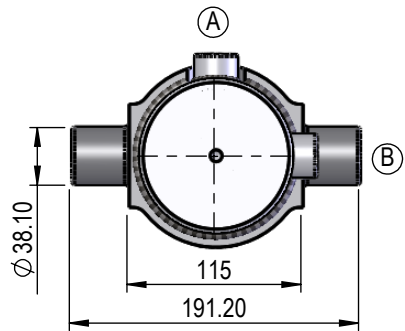
3.5" BORE

1.75" OR 2" ROD

CYLINDER

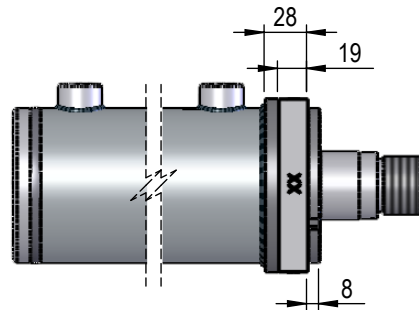
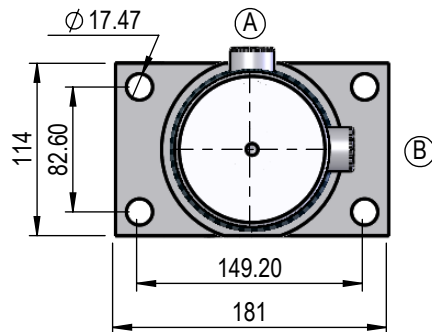
TRUNION MOUNT

TR35
T1



FLANGE MOUNT

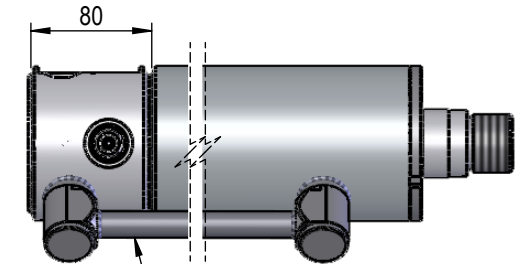
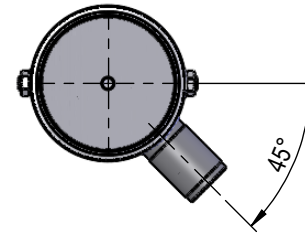
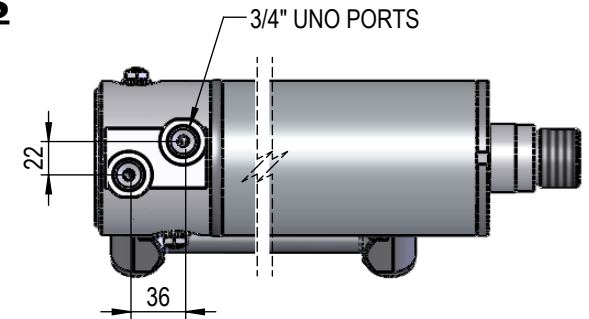
FL35
F1



INTERNAL VALVE OPTIONS

Double Counterbalance Valve

Valve cavity Sun T11A
60Lt Pilot operated check valves
Or
60Lt Counterbalance Valves



Transfer Tube can be welded or use fittings

Single Counterbalance Valve

Valve cavity Sun T11A
60Lt Pilot operated check valve
Or
60Lt Counterbalance Valve
Base side holding

