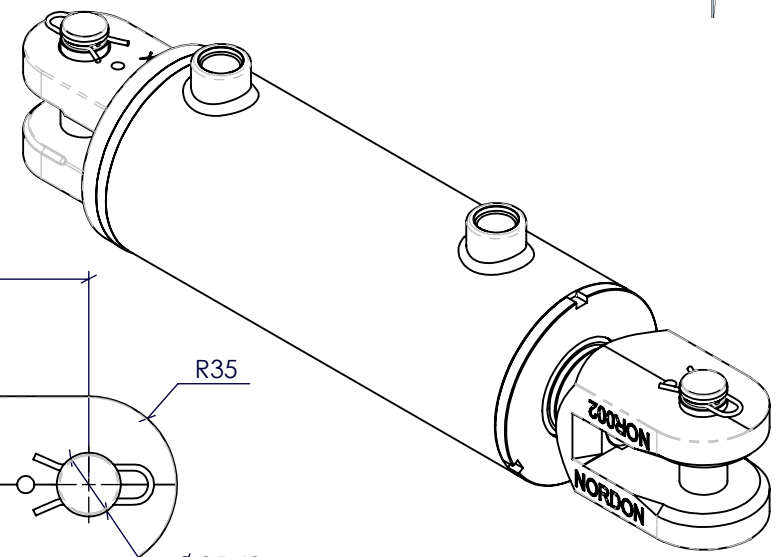
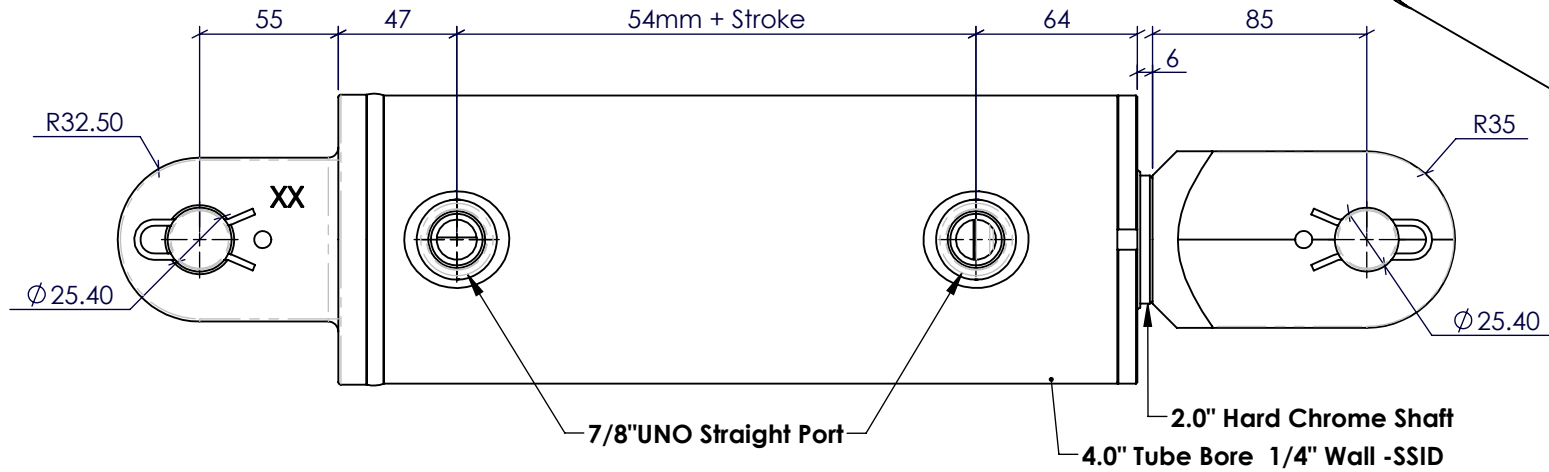
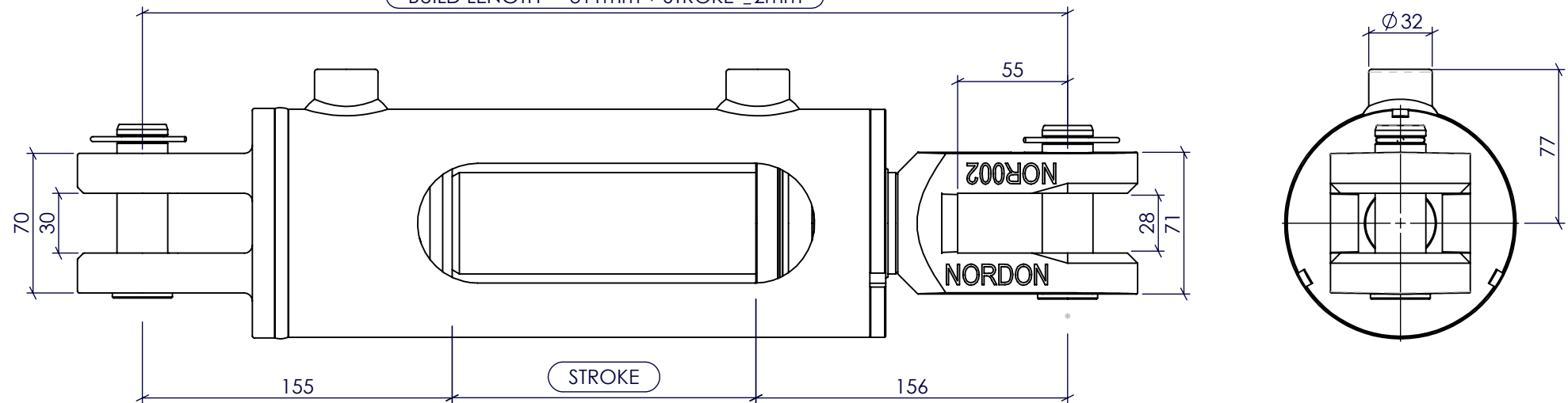


# **NA SERIES** **4" BORE, 2"** **ROD CYLINDER** **B PORT POSITION**



BUILD LENGTH = 311mm + STROKE ±2mm



NOTE: ALL THREADS MACHINED TO 2A/B SPECIFICATION.  
 ALL PIN HOLES MACHINED TO D9 TOLERANCE.